

COLPOSCOPE

PRIMA GN



LABOMED[®] 
ideas for vision

A VERSATILE SOLUTION FOR THE MODERN PRACTICE



The Prima GN is an ideal solution for surgical and diagnostic work given its superb optical and mechanical performance, ensuring many years of carefree use.

A durable mobile H-stand is easily transported from one room to the next on robust castor wheels, enabling multi-room use and convenient storage. Alternatively, the system can be mounted directly to an exam chair, on a short column for quick diagnostic work, or in an over-the-shoulder floor mount configuration.

The Prima GN was designed to address all digital imaging and documentation needs. Doctors can use a digital SLR or video camera, thanks to a wide selection of adapters available through LABOMED's *ProLine* suite. A proprietary *iVu* series camera provides an excellent solution with its all-in-one high definition imaging, streaming, and capture options.



Live streaming can be sent directly to a flat panel monitor mounted conveniently to the Prima GN arm.

BRINGING GREATER CLARITY TO YOUR DIAGNOSES



Integration of a cool 50W LED illumination system within the swivel arm makes the Prima GN a compact and well balanced system. Bulb change hassle is a thing of the past as the ultra bright and white-light LED is rated for 60,000 hours of consistent bulb life.

LABOMED's proprietary *MaxLite™* coated apochromatic optics deliver a level of detail, color correction, and anti-reflective properties typically found in operating room microscopes. This makes the PRIMA GN a best-in-class value colposcope.



PRIMA GN COLPOSCOPE

Binocular tubes

Straight viewing tube 90°

Eyepieces

Optional: 45° inclined head

Apochromatic magnichanger

WF 10X/18 mm with retractable eye guards, diopter adjustment ± 5 mm and diopter lock

Objective

Optional: 12.5X/18mm; fixed eye guards

Light source

5 step: 0.4X, 0.6X, 1.0X, 1.6X and 2.5X

Built-in filters

f-300, manual fine focus

Vertical movement of arm

50W LED

Microscope carriers

Green

Optional Accessories

550 mm

Straight carrier

Beam splitter

ProLine range of camera adapters

iVu G5 5MP integrated digital camera module

Base(Dimensions)

600 mm width, 620 mm length

Stand height

984 mm

Weight of complete microscope

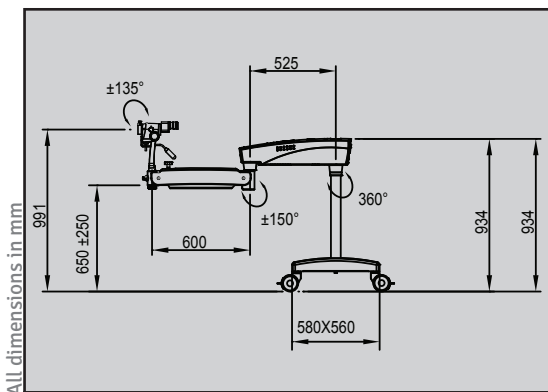
80 Kg. (approx.)

Elevation stroke

570 mm

Stand height in horizontal position

775 mm



ITEM

PRIMA GN

CONFIGURATION

Colposcope, mobile H-stand

CATALOG NO.

6165000-000

PRIMA GN

Colposcope, mobile H-stand, over the shoulder

6165000-100



SPECIFICATIONS

Labo America, Inc.
920 Auburn Court
Fremont, CA 94538

Tel: (510) 445-1257
Fax: (510) 445-1317
E-mail: sales@laboamerica.com

www.laboamerica.com



LABOMED 

Distributor